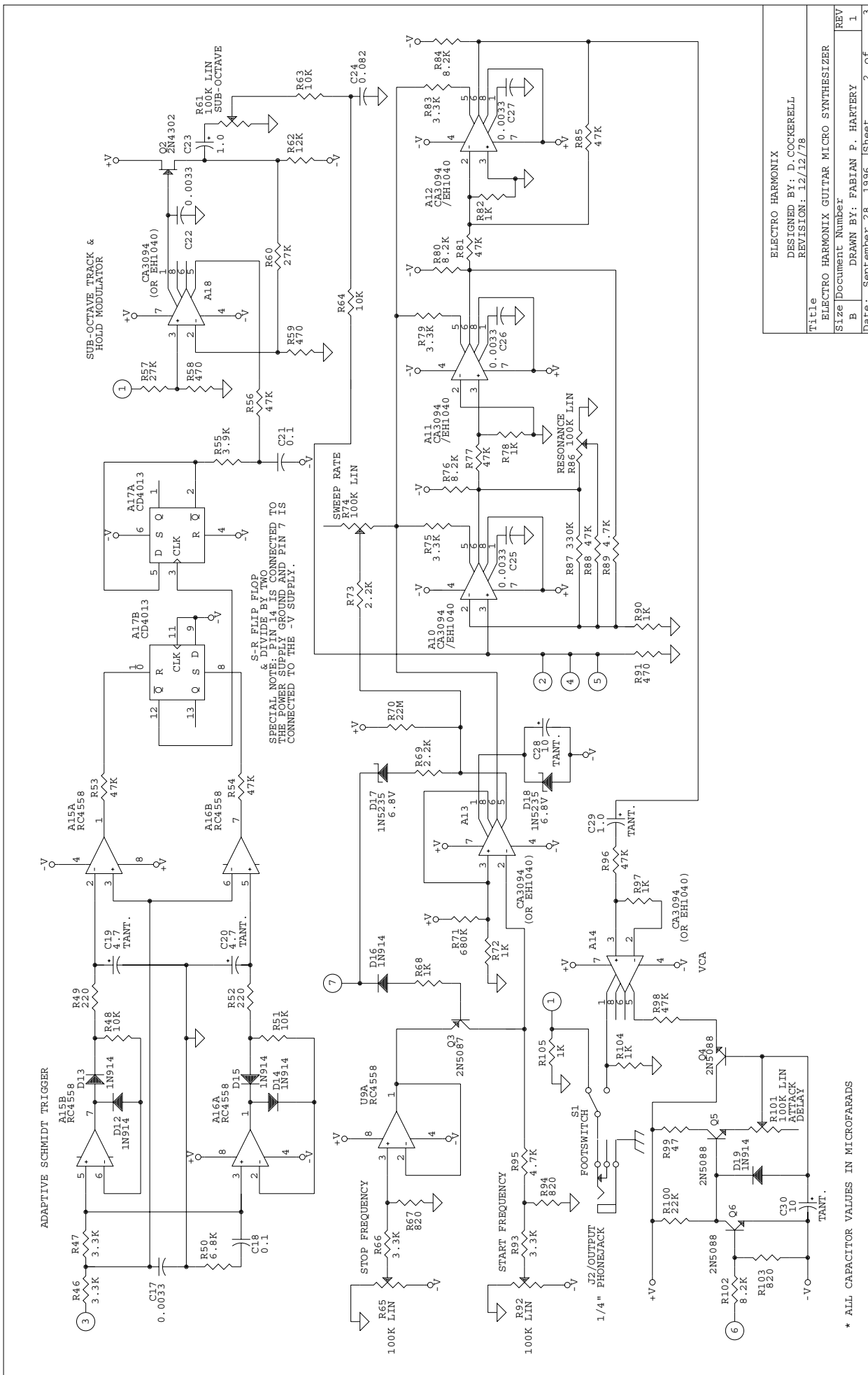


- 1 TO SUB-OCTAVE TRACK & HOLD MODULATOR (A18) & OUTPUT
- 2 TO VCF (A10)
- 3 TO ADAPTIVE SCHMITT TRIGGER
- 4 TO VCA SWEEP GENERATOR
- 5 TO VCF SWEEP GENERATOR
- 6 TO VCF SWEEP GENERATOR

Title ELECTRO HARMONIX
 DESIGNED BY: D. COCKERELL
 REVISION: 12/12/78
 Size Document Number
 A DRAWN BY: FABIAN P. HAFTERY
 Date: September 28, 1996 Sheet 1 of 3

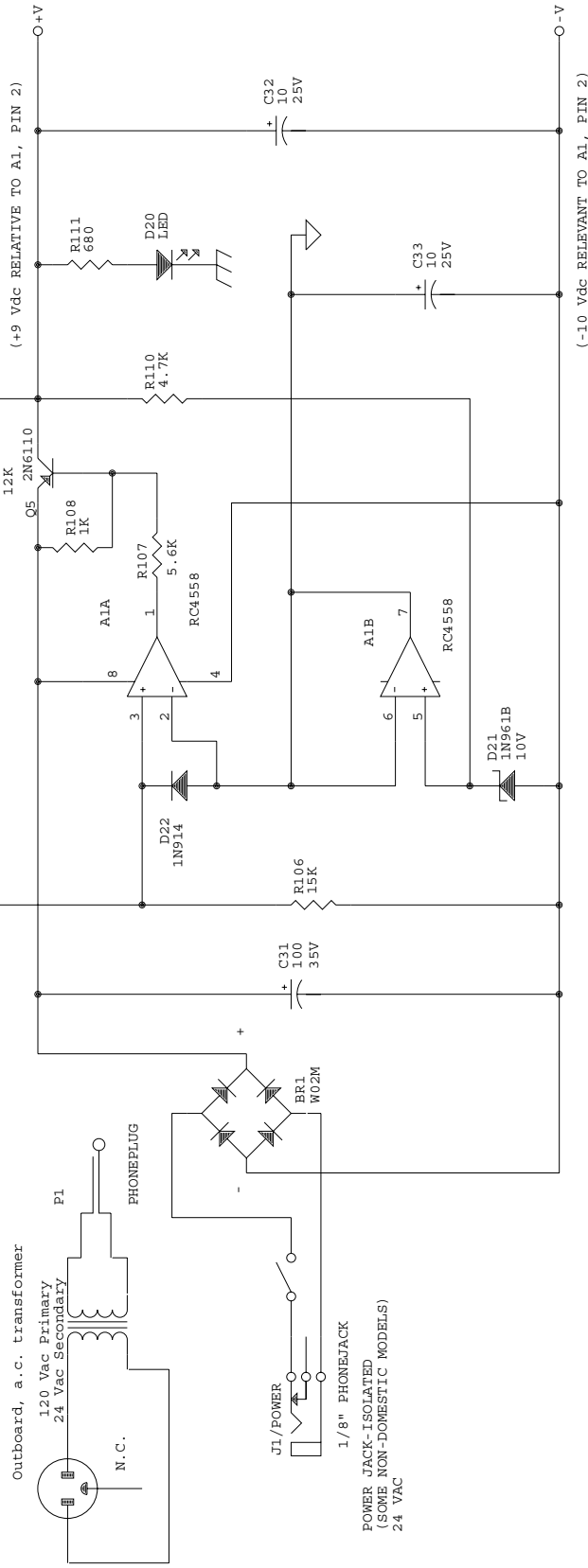
* ALL CAPACITOR VALUES IN MICROFARADS



ELECTRO HARMONIX	
DESIGNED BY: D. COCKERELL	
REVISION: 12/12/78	
Title	
ELECTRO HARMONIX GUITAR MICRO SYNTHESIZER	
Size	Document Number
B	1
Drawn By:	FABIAN P. HARTERY
Date:	September 28, 1996
Sheet	2 of 3

* ALL CAPACITOR VALUES IN MICROFARADS

2N6110 NORMALLY TOO HOT TO TOUCH



ELECTRO HARMONIX	
DESIGNED BY: D. COCKERELL	
REVISION: 12/12/78	
Title	
ELECTRO HARMONIX GUITAR MICRO SYNTHESIZER	
Size	Document Number
A	A
Drawn By:	FABIAN P. HARTERY
Date:	September 28, 1996
Sheet	3 of 3

POWER JACK-ISOLATED
(SOME NON-DOMESTIC MODELS)
24 VAC